

I/O module - AXL F AI2 AO2 XC 1H - 1035429

Please be informed that the data shown in this PDF Document is generated from our Online Catalog. Please find the complete data in the user's documentation. Our General Terms of Use for Downloads are valid (<http://phoenixcontact.com/download>)



Axioline F XC, Analog I/O module, Analog inputs: 2, 0 V ... 5 V, -5 V ... 5 V, 0 V ... 10 V, -10 V ... 10 V, 0 mA ... 20 mA, 4 mA ... 20 mA, -20 mA ... 20 mA, connection technology: 2-conductor, Analog outputs: 2, 0 V ... 5 V, -5 V ... 5 V, 0 V ... 10 V, -10 V ... 10 V, 0 mA ... 20 mA, 4 mA ... 20 mA, -20 mA ... 20 mA, connection technology: 2-conductor, transmission speed in the local bus: 100 Mbps, Extreme conditions version, degree of protection: IP20, including bus base module and Axioline F connectors

The figure shows the standard item

Product Description

The module is designed for use within an Axioline F station. It is used to acquire and output analog voltage and current signals.

Your advantages

- 2 analog differential input channels
- Connection of sensors in 2-conductor technology
- Current ranges: 0 mA ... 20 mA, 4 mA ... 20 mA, ±20 mA
- Voltage ranges: 0 V ... 10 V, ±10 V, 0 V ... 5 V, ±5 V
- 2 analog outputs
- Connection of actuators in 2-conductor technology
- Current ranges: 0 mA ... 20 mA, 4 mA ... 20 mA, ±20 mA
- Voltage ranges: 0 V ... 10 V, ±10 V, 0 V ... 5 V, ±5 V
- Process data update < 150 µs
- Device rating plate stored
- Can be used under extreme ambient conditions
- Extended temperature range of -40 °C ... +70 °C (see "Tested successfully: use under extreme ambient conditions" in the data sheet)
- Partially coated PCBs



Key Commercial Data

Packing unit	1 pc
GTIN	
GTIN	4055626541792

I/O module - AXL F AI2 AO2 XC 1H - 1035429

Custom tariff number	85389091
Country of origin	Germany

Technical data

Dimensions

Caption	Dimensional drawing
Width	35 mm
Height	126.1 mm
Depth	54 mm
Note on dimensions	The depth is valid when a TH 35-7,5 DIN rail is used (according to EN 60715).

Ambient conditions

Ambient temperature (operation)	-25 °C ... 60 °C (Standard applications and applications with UL approval)
	-40 °C ... 70 °C (Extended, see section "Tested successfully: use under extreme ambient conditions" in the data sheet.)
Ambient temperature (storage/transport)	-40 °C ... 85 °C
Permissible humidity (operation)	5 % ... 95 % (non-condensing)
Permissible humidity (storage/transport)	5 % ... 95 % (non-condensing)
Air pressure (operation)	70 kPa ... 106 kPa (up to 3000 m above sea level)
Air pressure (storage/transport)	70 kPa ... 106 kPa (up to 3000 m above sea level)
Degree of protection	IP20

Connection data

Designation	Axioline F connector
Connection method	Push-in connection
Note on the connection method	Please observe the information provided on conductor cross sections in the "Axioline F: system and installation" user manual.
	Applications with UL approval: only use copper conductors.
Conductor cross section solid min.	0.2 mm ²
Conductor cross section solid max.	1.5 mm ²
Conductor cross section flexible min.	0.2 mm ²
Conductor cross section flexible max.	1.5 mm ²
Conductor cross section AWG min.	24
Conductor cross section AWG max.	16
Stripping length	8 mm

General

Mounting type	DIN rail
Color	traffic grey A RAL 7042
Net weight	197 g
Note on weight specifications	with connectors and bus base module

I/O module - AXL F AI2 AO2 XC 1H - 1035429

Technical data

General

Mounting position	any (no temperature derating)
-------------------	-------------------------------

Interfaces

Designation	Axioline F local bus
Number of interfaces	2
Connection method	Bus base module
Transmission speed	100 Mbps

Axioline potentials

Designation	Axioline F local bus supply (U_{BUS})
Supply voltage	5 V DC (via bus base module)
Current consumption	typ. 120 mA
	max. 150 mA
Power consumption	typ. 0.6 W
	max. 0.75 W
Designation	Supply for analog modules (U_A)
Supply voltage	24 V DC
Supply voltage range	19.2 V DC ... 30 V DC (including all tolerances, including ripple)
Current consumption	typ. 40 mA
	max. 60 mA (2 voltage channels, 10 V output, 2 k Ω load)
	max. 80 mA (2 current channels, 24 mA output, 500 Ω load)
Power consumption	max. 1.92 W
Protective circuit	Surge protection electronic (35 V, 0.5 s)
	Reverse polarity protection Polarity protection diode
	Transient protection Suppressor diode
Power consumption	typ. 1.56 W (at U_{BUS} and U_A)
	max. 2.67 W (at U_{BUS} and U_A)

Analog inputs

Description of the input	Differential inputs, voltage or current can be chosen separately
Input name	Analog inputs
Number of inputs	2
Connection method	Push-in connection
Connection technology	2-conductor
Note regarding the connection technology	shielded, twisted pair
A/D conversion time	2 μ s
A/D converter resolution	16 bit
Limit frequency (3 dB)	30 Hz
	12 kHz

I/O module - AXL F AI2 AO2 XC 1H - 1035429

Technical data

Analog inputs

Type of protection	Transient protection of inputs
	Overload protection of the current inputs
	Overload protection of the voltage inputs
Data formats	IB IL, S7-compatible, standardized representation
Measured value representation	16 bits (15 bits + sign bit)
Current input signal	0 mA ... 20 mA
	4 mA ... 20 mA
	-20 mA ... 20 mA
Input resistance current input	104 Ω (typical)
Voltage input signal	0 V ... 5 V
	-5 V ... 5 V
	0 V ... 10 V
	-10 V ... 10 V
Input resistance of voltage input	268 kΩ (typical)
Common mode voltage range signal - ground	-50 V DC ... 50 V DC
Input filter	30 Hz, 12 kHz and mean-value generation (can be parameterized)
Precision	0.1 % (of measuring range final value for active mean-value generation and 30 Hz filter)

Analog outputs

Number of outputs	2
Connection method	Push-in connection
Connection technology	2-conductor
Note regarding the connection technology	shielded, twisted pair
Output name	Analog outputs
D/A converter resolution	16 bit
Type of protection	Short-circuit and overload protection
	Transient protection
Protective circuit/component	electronic
	Suppressor diode
Data formats	IB IL, S7-compatible, standardized representation
Representation of output values	16 bits (15 bits + sign)
Process data update	150 μs
Current output signal	0 mA ... 20 mA
	4 mA ... 20 mA
	-20 mA ... 20 mA
Load/output load current output	≤ 500 Ω
Voltage output signal	0 V ... 5 V

I/O module - AXL F AI2 AO2 XC 1H - 1035429

Technical data

Analog outputs

	-5 V ... 5 V
	0 V ... 10 V
	-10 V ... 10 V
Load/output load voltage output	≥ 2 kΩ
Precision	typ. 0.1 % (of output range final value)

Electrical isolation

Test section	5 V supply of the local bus (U_{Bus}) / 24 V supply (I/Os) 500 V AC 50 Hz 1 min.
	5 V supply of the local bus (U_{Bus}) / analog inputs and outputs 500 V AC 50 Hz 1 min.
	5 V supply of the local bus (U_{Bus}) / functional ground 500 V AC 50 Hz 1 min.
	24 V supply (I/O) / analog inputs and outputs 500 V AC 50 Hz 1 min.
	24 V supply (I/O) / functional ground 500 V AC 50 Hz 1 min.
	Analog inputs and outputs/functional ground 500 V AC 50 Hz 1 min.

Standards and Regulations

Immunity to ESD	Immunity test in accordance with EN 61000-6-2/IEC 61000-6-2 Electrostatic discharge (ESD) EN 61000-4-2/IEC 61000-4-2 Criterion B, 6 kV contact discharge, 8 kV air discharge
Immunity to EF	Immunity test in accordance with EN 61000-6-2/IEC 61000-6-2 Electromagnetic fields EN 61000-4-3/IEC 61000-4-3 Criterion A, Field intensity: 10 V/m
Immunity to burst	Immunity test in accordance with EN 61000-6-2/IEC 61000-6-2 Fast transients (burst) EN 61000-4-4/IEC 61000-4-4 Criterion B, 2 kV
Immunity to surge	Immunity test in accordance with EN 61000-6-2/IEC 61000-6-2 Transient overvoltage (surge) EN 61000-4-5/IEC 61000-4-5 Criterion B, supply lines DC: ±0.5 kV/±0.5 kV (symmetrical/asymmetrical), ±1 kV to shielded I/O cables
Immunity to conducted interference	Immunity test in accordance with EN 61000-6-2/IEC 61000-6-2 Conducted interference EN 61000-4-6/IEC 61000-4-6 Criterion A, Test voltage 10 V
Interference emission	Noise emission test according to EN 61000-6-3/IEC 61000-6-3 Class B
Mechanical tests	Vibration resistance in acc. with EN 60068-2-6/IEC 60068-2-6 5g
	Shock in acc. with EN 60068-2-27/IEC 60068-2-27 30g
	Continuous shock according to EN 60068-2-27/IEC 60068-2-27 10g
Protection class	III (IEC 61140, EN 61140, VDE 0140-1)

Environmental Product Compliance

REACH SVHC	Lead 7439-92-1
China RoHS	Environmentally Friendly Use Period = 50 years

I/O module - AXL F AI2 AO2 XC 1H - 1035429

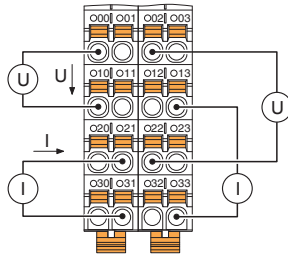
Technical data

Environmental Product Compliance

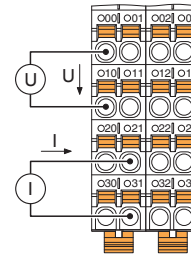
For details about hazardous substances go to tab "Downloads", Category "Manufacturer's declaration"

Drawings

Connection diagram

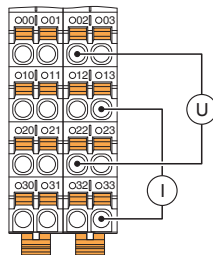


Connection diagram



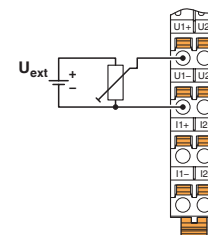
Connection for voltage and current measurement

Connection diagram



Connection for voltage and current output

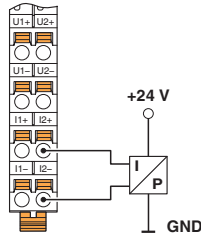
Connection diagram



Connection of potentiometric position sensors

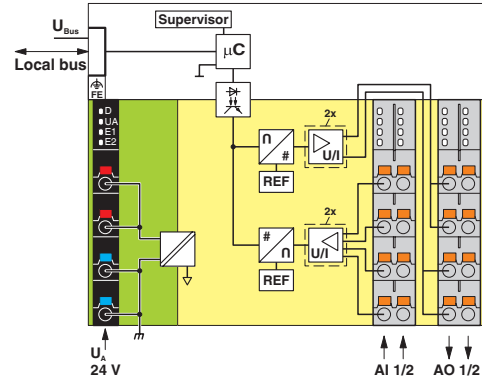
I/O module - AXL F AI2 AO2 XC 1H - 1035429

Connection diagram



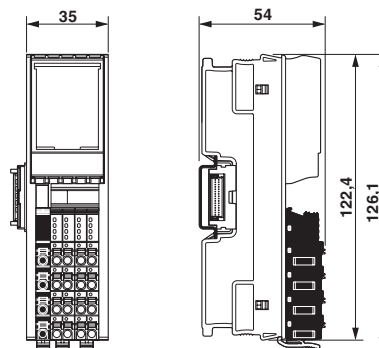
Passive pressure sensor at a differential current input

Block diagram



Internal wiring of the terminal points

Dimensional drawing



Dimensional drawing

Classifications

eCl@ss

eCl@ss 10.0.1	27242601
eCl@ss 11.0	27242601
eCl@ss 6.0	27242600
eCl@ss 7.0	27242601
eCl@ss 9.0	27242601

ETIM

ETIM 6.0	EC001596
ETIM 7.0	EC001596

I/O module - AXL F AI2 AO2 XC 1H - 1035429

Classifications

UNSPSC

UNSPSC 18.0	32151602
UNSPSC 19.0	32151602
UNSPSC 20.0	32151602
UNSPSC 21.0	32151602

Approvals

Approvals

Approvals

BSH / UL Listed / cUL Listed / cULus Listed

Ex Approvals

Approval details

BSH	840
-----	-----

UL Listed		http://database.ul.com/cgi-bin/XYVV/template/LISEXT/1FRAME/index.htm	FILE E 238705
-----------	--	---------------------------------------------------------------------------------------------------------------------------------------------------------	---------------

cUL Listed		http://database.ul.com/cgi-bin/XYVV/template/LISEXT/1FRAME/index.htm	FILE E 238705
------------	--	---------------------------------------------------------------------------------------------------------------------------------------------------------	---------------

cULus Listed			
--------------	--	--	--

Accessories

Accessories

Device marking

I/O module - AXL F AI2 AO2 XC 1H - 1035429

Accessories

Insert label - EMT (35X28)R - 0801602



Insert label, Roll, white, unlabeled, can be labeled with: THERMOMARK ROLLMASTER 300/600, THERMOMARK X1.2, THERMOMARK ROLL X1, THERMOMARK ROLL 2.0, THERMOMARK ROLL, lettering field size: 35 x 28 mm, Number of individual labels: 500

DIN rail connector

Bus connector - AXL F BS H - 2700992



Axiline F bus base module for housing type H

Shield connection

Shield connection - AXL SHIELD SET - 2700518



Axiline shield connection set (contains 2 shield bus holders and 2 SK 5 shield connection clamps)

Terminal marking

Zack marker strip - ZB 20,3 AXL UNPRINTED - 0829579



Zack marker strip for Axiline F (device labeling), in 2 x 20.3 mm pitch, unprinted, 25-section, for individual labeling with B-STIFT 0.8, X-PEN, or CMS-P1-PLOTTER

I/O module - AXL F AI2 AO2 XC 1H - 1035429

Accessories

Zack Marker strip, flat - ZBF 10/5,8 AXL UNPRINTED - 0829580



Zack Marker strip, flat, Strip, white, unlabeled, can be labeled with: PLOTMARK, CMS-P1-PLOTTER, for terminal block width: 10.15 mm, lettering field size: 4 of 10.15 x 5 mm and 1 of 5.8 x 5 mm, Number of individual labels: 50